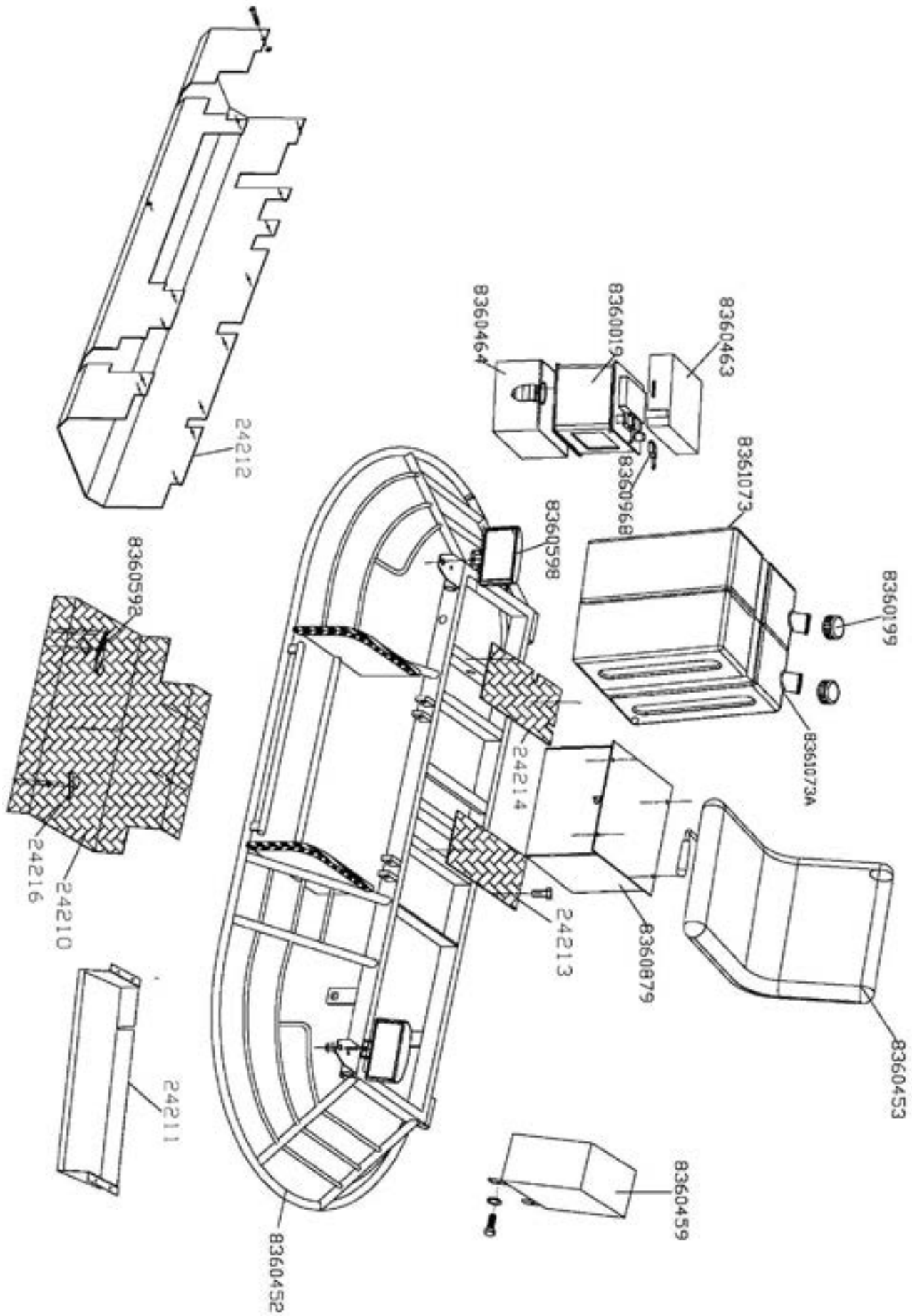
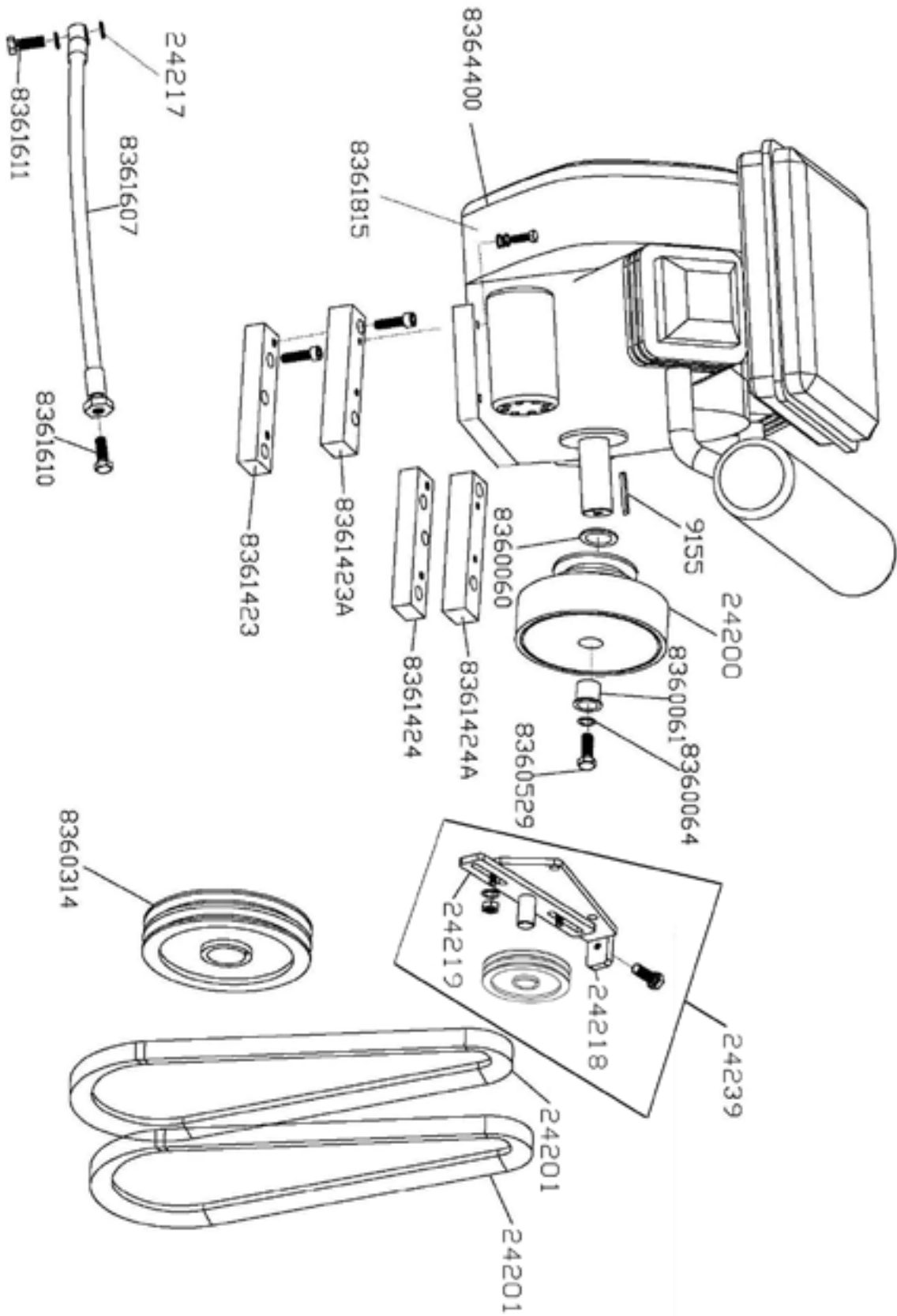


# FRAMEWORK

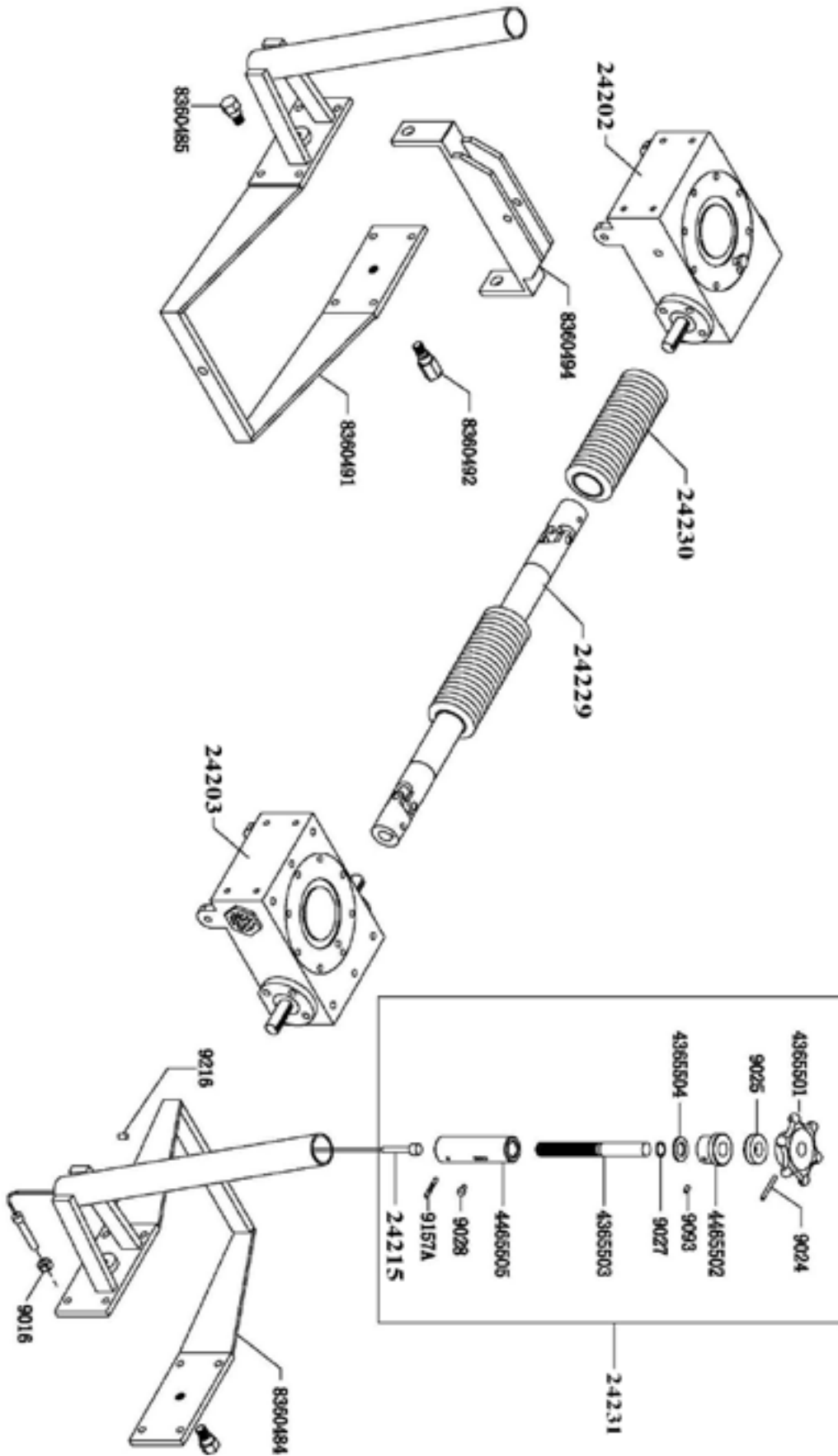


**POWER SYSTEM**



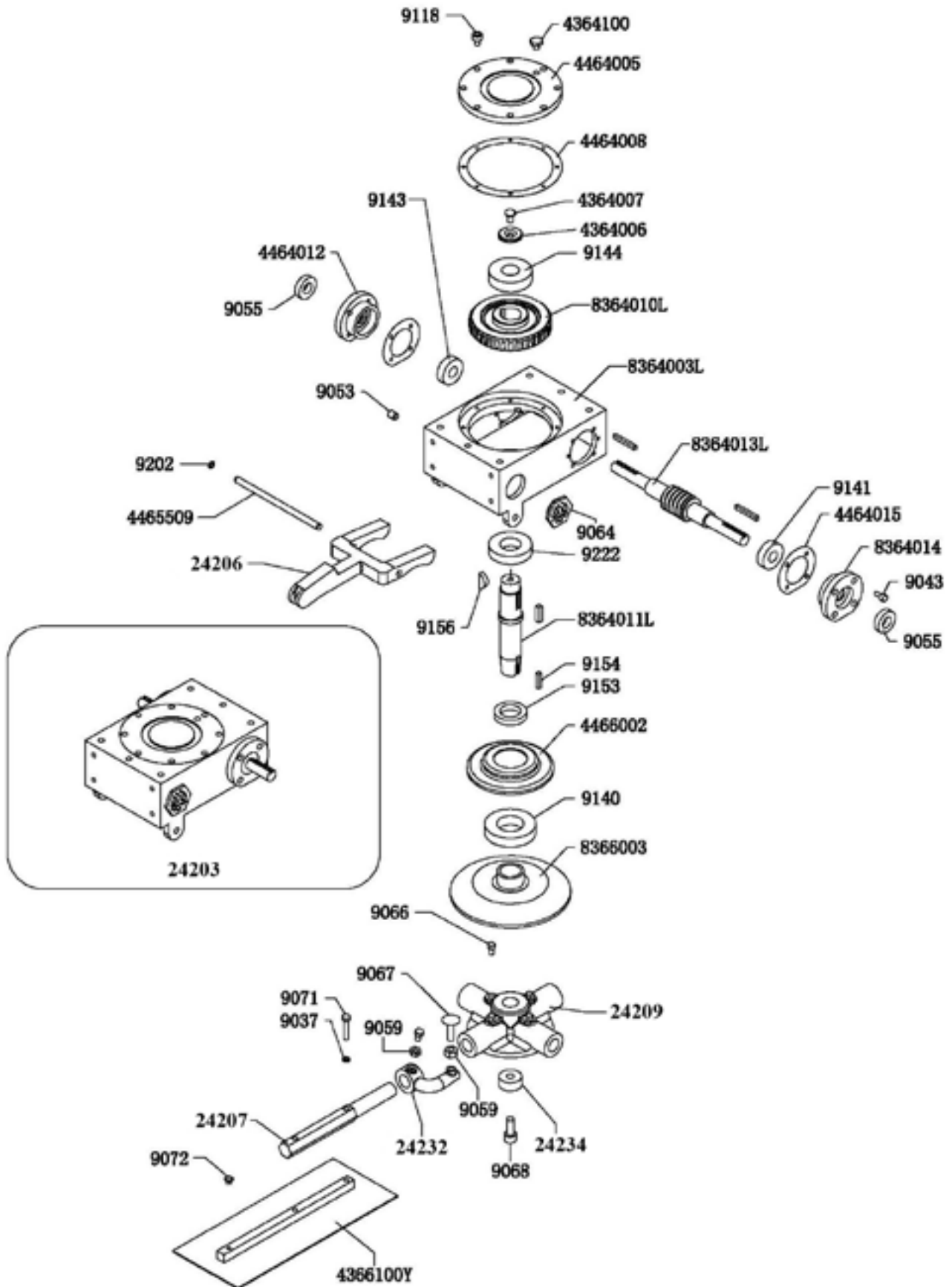


# STEERING AND BLADE ADJUSTMENT SYSTEM

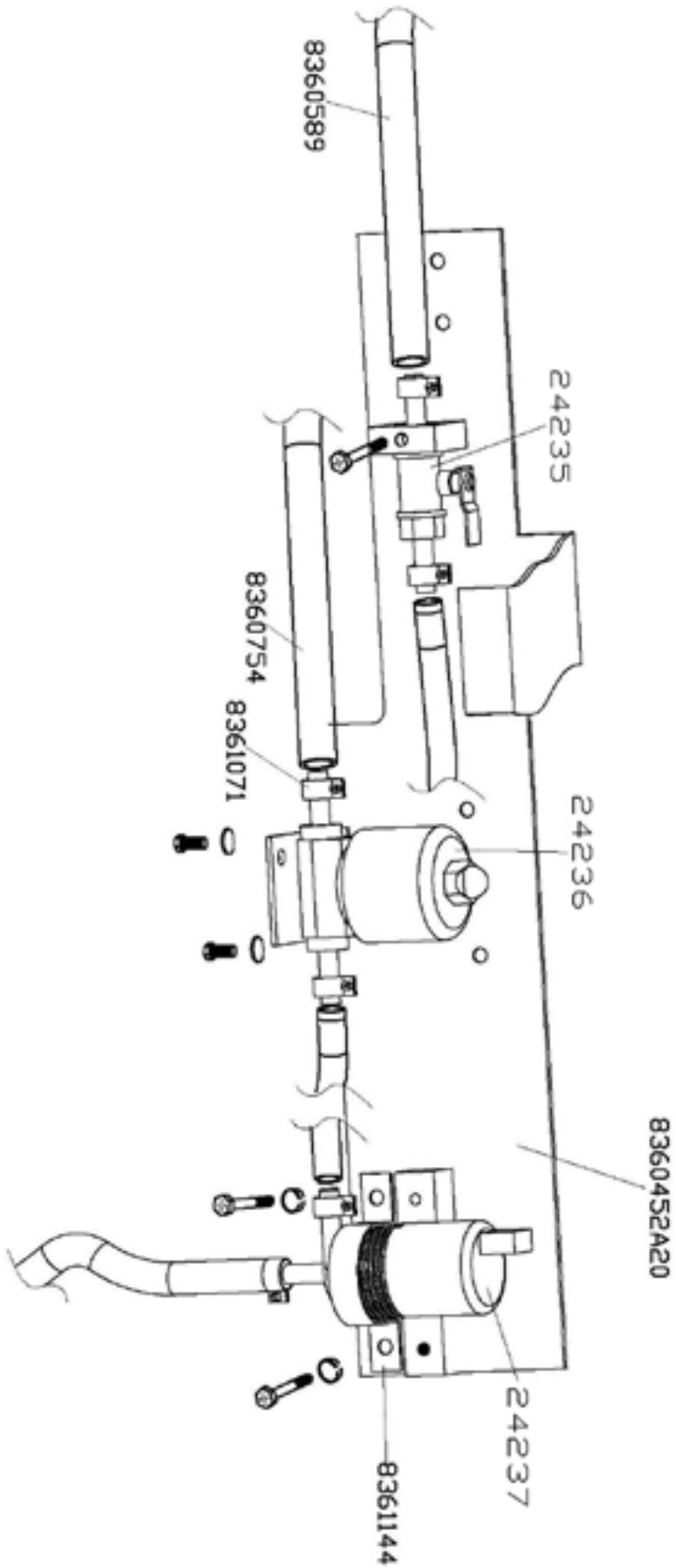




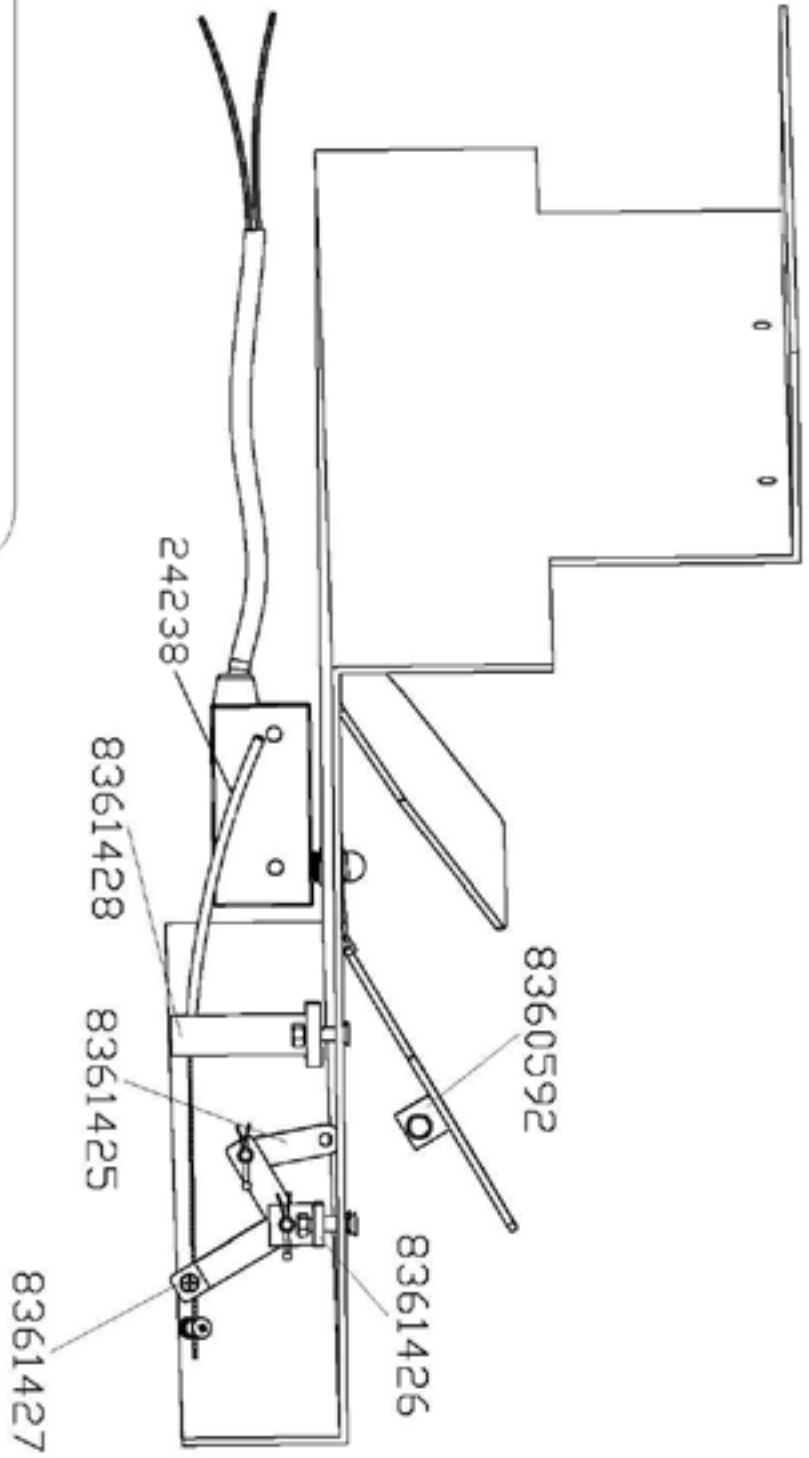
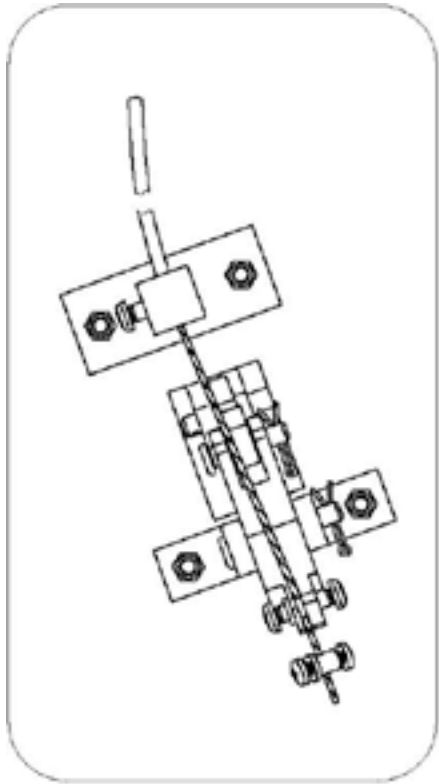
**GEARBOX ASSEMBLY: LEFT**



**WATER SPRAY SYSTEM**



FOOT THROTTLE KIT





<b>FRAMEWORK</b>		
PARTS NO.	DESP.	QTY
8360452	GUARD RING	1
24210	FOOT BOARD	1
24211	COVER BOARD, THROTTLE	1
24212	COVER BOARD, BOTTOM	1
24213	COVER BOARD	1
24214	COVER BOARD	1
8360879	TOOL BOX	1
8360453	SEAT	1
8360459	COVER CLUTCH	1
8361073	WATER TANK	1
8361073A	FUEL TANK	1
8360199	FUEL CAP, WITH KEY	2
8360464	BATTERY BOX	1
8360019	BATTERY	1
8360463	BATTERY COVER	1
8360968	CONNECTOR, BATTERY	1
8360592	THROTTLE CONTROL	1
24216	SAFETY SWITCH	1
<b>POWER SYSTEM</b>		
PARTS NO.	DESP.	QTY
8364400	HONDA GX670	1
8361423	ENGINE MOUNTING BAR	1
8361423A	ENGINE MOUNTING BAR	1
8361424	ENGINE MOUNTING BAR	1
8361424A	ENGINE MOUNTING BAR	1
24200	CLUTCH	1
8360060	WASHER	1
8360061	BUSHING	1
8360064	WASHER	1
8360529	BOLT	1
9155	KEY	1

8361607	OIL PIPE	1
24217	WASHER	2
8361611	BOLT	1
8361610	BOLT	1
8360314	PULLEY	1
24218	MOUNGTING PLATE, PULLEY	1
24219	ADJUST PLATE, PULLEY	1
24201	BELT-V15X880	2
24239	BELT TENSIONER ASSEMBLY	1
	<b>DRIVING SYSTEM</b>	
PARTS NO.	DESP.	QTY
8361975	DRIVE LEVER, RIGHT	1
8361976	DRIVE LEVER, LEFT	1
8360501	T-CONNECTOR	2
24220	BUSHING	4
24221	BUSHING	4
9030	LOCK PIN	2
9502B	OIL CAP	2
9502C	OIL CAP	2
24222	PLASTIC HANDLE	2
24223	BUTTON, WATER SPRAY SYSTEM	1
8360504	CONNECT SHAFT	1
24224	CONNECT BEARING	6
8360506	CONNECT SHAFT	2
24225	U-CONNECTOR	6
8360507	CONNECT SHAFT	2
8360508	CONNECT SHAFT	2
8360515	OSCILLATING SHAFT	1
24226	BRACKET BEARING	6
8360512	TUMBLE BOARD	1
8360510	TRANSMISSION SHAFT	1
8360511	TRANSMISSION SHAFT	1
24227	BEARING	1
24228	BEARING	1
8360053	BUSHING	1
	<b>STEERING SYSTEM</b>	
PARTS NO.	DESP.	QTY
24229	JOINT SHAFT	1
24230	RUBBER COVER	2
24202	GEARBOX, RIGHT	1
24203	GEARBOX, LEFT	1

8360491	BRACKET, RIGHT	1
8360494	BRACKET	2
8360485	BOLT	1
8360492	BOLT	1
8360484	BRACKET, LEFT	1
9216	SCREW	1
<b>24231</b>	<b>BLADE ADJUSTMENT SYSTEM</b>	<b>2</b>
PARTS NO.	DESP.	QTY
0470	QUICK PITCH	2
9025	BEARING	2
9024	LOCK PIN	2
4465502	BUSHING	2
4365504	WASHER	2
9026	SCREW	2
9027	WASHER	2
4365503	ADJUST SHAFT	2
4465505	ADJUST SHAFT BUSHING	2
9028	SCREW	2
9157A	PIN	2
24215	WIRE	2
8364000R	<b>GEARBOX ASSY (R)</b>	
PARTS NO.	DESP.	QTY
8364003R	GEARBOX CASING	1
4464005	GEARBOX COVER	1
8364010R	BROZE GEAR	1
8364013R	COUNTER SHAFT	1
8354011R	MAIN SHAFT	1
4464008	SHIMMING	1
4364006	PRESSURE WASHER	1
4464015	SHIMMING	2
4464012	RIGHT BEARING FLANGE	1
4464014	RINGHT BEARING FLANGE	1
4364100	RELEASE VALVE	1
9118	SCREW	8
9145	SCREW	1
9144	BEARING	1
9141	BEARING	1
9143	BEARING	1
9043	SCREW	8
9055	SEAL	2

9064	GLASS EYE	1
9053	PLUG	1
9156	KEY	1
PARTS NO.	DESP.	QTY
4465510	YOKE ARM	1
4465509	SHAFT, YOKE ARM	1
9202	RETAINER RING	1
4466002	PRESSURE PLATE COVER	1
8366003	PRESSURE PLATE	1
8366005R	RIGHT SPIDER PLATE	1
24232	LIFT LEVER	4
24234	BUSHING	1
8366001	TROWEL ARM	4
9059	NUT	8
9066	SCREW	8
9067	BOLT	4
9068	BOLT	1
9140	BEARING	1
9153	SEAL	1
9154	KEY	1
9222	BEARING	1
8364000L	<b>GEARBOX ASSY (L)</b>	
PARTS NO.	DESP.	QTY
8364003L	GEARBOX CASING	1
4464005	GEARBOX COVER	1
8364010L	BRONZE GEAR	1
8364013L	COUNTER SHAFT	1
8354011L	MAIN SHAFT	1
4464008	SHIMMING	1
4364006	PRESSURE WASHER	1
4464015	SHIMMING	2
4464012	LEFT BEARING FLANGE	1
8364014	RINGHT BEARING FLANGE	1
4364100	RELEASE VALVE	1
9118	SCREW	8
4364007	SCREW	1
9144	BEARING	1
9141	BEARING	1
9143	BEARING	1
9043	SCREW	8

9055	SEAL	2
9064	GLASS EYE	1
9053	PLUG	1
9156	KEY	1
PARTS NO.	DESP.	QTY
4465510	YOKE ARM	1
4465509	SHAFT, YOKE ARM	1
9202	RETAINER RING	1
4466002	PRESSURE PLATE COVER	1
8366003	PRESSURE PLATE	1
8366005L	LEFT SPIDER PLATE	1
24234	BUSHING	1
24233	LIFT LEVER	4
8366001	TROWEL ARM	4
9059	NUT	8
9066	SCREW	8
9067	BOLT	4
9068	BOLT	1
9140	BEARING	1
9153	SEAL	1
9154	KEY	1
9222	BEARING	1
	<b>WATER SPRAY SYSTEM</b>	
PARTS NO.	DESP.	QTY
8360589	OIL PIPE	2
24235	VALVE	1
8360754	WATER PIPE	2
8361071	JOINT	6
24236	SOLENOID PILOT ACTUATED VALVE	1
24237	WATER PUMP	1
8361144	MOUNTING PLATE, WATER PUMP	1
	<b>FOOT THROTTLE KIT</b>	
PARTS NO.	DESP.	QTY
8360592	FOOT THROTTLE PARTS	1
8361425		1
8361426		1
8361427		1
8361428		1
24238		THROTTLE CABLE