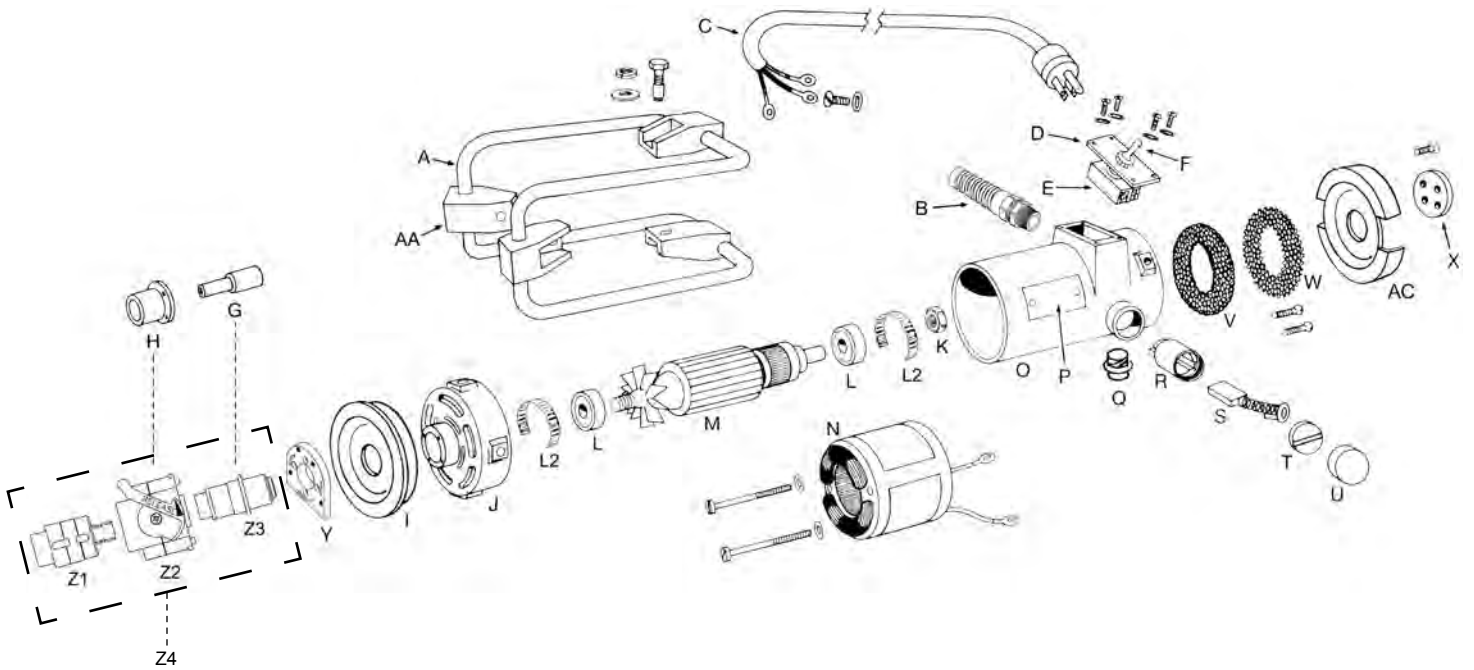


**MOTOR ASSEMBLY - PARTS LIST**

**MODELS 1.2, 1.8, 2.4, 3.2**



## MOTOR ASSEMBLY - PARTS LIST

### MODELS 1.2, 1.8, 2.4, 3.2

**\*\*Please use prefix 81 when ordering.\*\***

Ref. #	Description	MODEL 1.2 PART #	MODEL 1.8 PART #	MODEL 2.4 PART #	MODEL 3.2 PART #	MOTOR STYLE	G.CORE ADAPTER	H.CASING ADAPTER	K. NUT
A	FRAME ASSEMBLY	6825EW1	6825EW2	6825EW2	6825EW3	D	271F1	270AA1	72AJ1
AA	SHOCK MOUNT	319B2	319A2	319A2	319A2	JE	271S1	270M1	72AJ1
AC	RAIN CAP	---	---	---	329K1	QE	271CX1	270EX1	72AJ1
B	STRAIN RELIEF ASSEMBLY	334D2	334D2	334D2	334D2	CE	271FK1	270LB1	72AJ1
C	CORD ASSEMBLY	174BF1	174BF1	174BG1	174BG1	DP	271FA1	270KL1	72AJ1
D	SWITCH PLATE ASSEMBLY	102A12	102A12	102A12	102A12	ST	271M1	270S1	72AJ1
E	SWITCH	177A1	177A1	177A1	177A1	S	271C1	270N1	72AJ1
F	RUBBER BOOT (SWITCH)	34A1	34A1	34A1	34A1	SS	271K1	270Y2	72AJ1
G & H	CORE & CASING ADAPTER	SEE CHART	---	---	---	MM	271N3	270W1	72AH1
I	BAFFLE ASSEMBLY	46G1	46G2	46G2	46G3	MV	271H1	270AC1	72AH1
J	END BELL	324A1	324B1	324B1	324C1	M	271L1	270K1	72AH1
K	NYLON INSERT LOCKNUT	SEE CHART	---	---	---	MK	271CP1	270EC1	72AJ1
L	BEARINGS (2)	207R1	207S1	207S1	207S1	OZ	271N3	270P2	72AH1
L2	TOLERANCE RING (2)	173D1	173E1	173E1	173E1	DVS	271N4	270P1	72AJ1
M 115V	ARMATURE 115V	6825B1	6825C1	6825D1	6825E1	RL	271D2	270AB1	72AJ1
230V	ARMATURE 230V (Non-UL)	N/A	6825C2	6825D2	6825E2	R	271P1	270AB1	72AJ1
N 115V	FIELD 115V	221A1	221B1	221C1	221D1	T	271N2	270T1	72AJ1
230V	FIELD 230V (Non-UL)	N/A	221F1	221G1	221H1	TT	271V1	270AD1	72AJ1
O	HOUSING	368J1	368K1	368K1	368L1	V	271N4	270R1	72AJ1
P	NAME PLATE	NOT SOLD	---	---	---	W	271D1	270V1	72AH1
Q	ACCESS PORT PLUG	444C1	444C1	444C1	444C1	WW	271D1	270X1	72AH1
R	BRUSH HOLDER	178A1	178A2	178A2	178A3	WS	271EV1	270V1	72AH1
S	BRUSH	240A1	240A2	240A2	240A3	WL	271EV1	270X1	72AH1
T	SCREW CAP	329B1	329B2	329B2	329B2				
U	PROTECTIVE CAP, THREADED	329E1	329E2	329E2	329E2				
V	FILTER	47A1	47A2	47A2	47A3				
W	FILTER SCREEN	49A1	49A2	49A2	49A3				
X	COVER	346B1	346B1	346B1	346B1				
Y	Q.D. SPACER	462AM1	462AM1	462AM1	462AM1				
Z1	MORRISON Q.D. CASING COUPLING ASSY.	217A1	217A1	217A1	217A1				
Z2	MORRISON Q.D. CASING ADAPTER ASSY.	270MX1	270MX1	270MX1	270MX1				
Z3	MORRISON Q.D. CORE ADAPTER ASSY.	271GT1	271GT1	271GT1	271GT1				
Z4	MORRISON Q.D. KIT	OZQDKIT	OZQDKIT	OZQDKIT	OZQDKIT				

**NOTE:**

CORD ASSEMBLY [PART No. 174J1] IS "TWIST LOCK"  
TYPE - NEMA CODE P.